

Model 200 Hydraulic Planetary Winch

Line pull of 45,000 lbs. (20,500 kg)

The LANTEC® Model 200 Hydraulic Planetary Winch includes a hydraulic gear motor, spring-applied hydraulic-released multidisc brake with overrunning clutch and two planetary gear reductions. The Model 200 is a power in/power out winch with equal speed in both directions. LANTEC specializes in the custom designs, please inquire about special cable drums, hydraulic motors, band-brakes, freespool and ratchet and pawl options to meet your exact application needs.

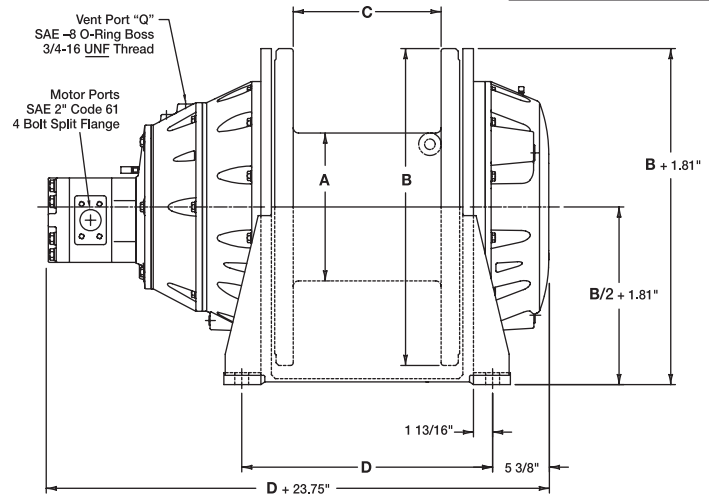
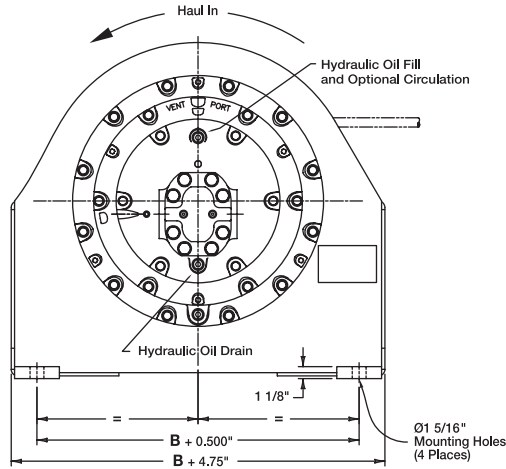


CAUTION:
The last 5 wraps of cable must be left on the drum to assist the cable anchor in holding the load.

MODEL 200 Drum Torque 194,818 lb.in. (22,011 Nm) / Drum R.P.M. 31-25	Drum Number		Line Pull		Line Speed	
			lb.	kg	f.p.m.	m/m
101-103		Bare	45,175	20,490	70	21
		Mean	24,160	10,960	132	40
		Full	17,415	7,900	182	55
104-106		Bare	36,250	16,445	88	27
		Mean	23,260	10,550	137	42
		Full	17,125	7,768	186	57
121-123		Bare	26,640	12,084	120	37
		Mean	17,610	7,988	180	55
		Full	13,730	6,228	232	71

MODEL 201 Drum Torque 146,114 lb.in. (16,508 Nm) / Drum R.P.M. 41-67	Drum Number		Line Pull		Line Speed	
			lb.	kg	f.p.m.	m/m
101-103		Bare	33,880	15,368	94	29
		Mean	18,120	8,220	175	53
		Full	13,060	5,924	244	74
104-106		Bare	27,185	12,330	117	36
		Mean	17,445	7,914	182	55
		Full	12,845	5,825	248	76
121-123		Bare	19,980	9,062	160	49
		Mean	13,210	5,992	241	73
		Full	10,300	4,672	310	94

MODEL 202 Drum Torque 101,837 lb.in. (11,506 Nm) / Drum R.P.M. 59-80	Drum Number		Line Pull		Line Speed	
			lb.	kg	f.p.m.	m/m
101-103		Bare	26,615	10,712	135	41
		Mean	12,630	5,728	252	77
		Full	9,100	4,128	350	107
104-106		Bare	18,945	8,594	168	51
		Mean	12,160	5,515	262	80
		Full	8,950	4,060	356	108
121-123		Bare	13,925	6,316	228	69
		Mean	9,205	4,175	346	105
		Full	7,178	3,255	444	135



Drum No.	Dimensions								Cable Capacity Full Drum – No Allowance for Free-Flange									
	A – Barrel Dia.		B – Flange Dia.		C – Length		D – Bolt Centers		1/2"		5/8"		3/4"		7/8"		1"	
	in	mm	in	mm	in	mm	in	mm	ft	mm	ft	mm	ft	mm	ft	mm	ft	mm
101	8	203	24	610	10	254	19.50	495.3	1272	388	730	222	485	148	375	114	300	91
102	8	203	24	610	16	406	25.50	647.7	2074	632	1130	357	810	247	635	194	500	152
103	8	203	24	610	24	610	33.50	850.9	3147	959	1805	550	1256	383	975	297	770	235
104	10	254	24	610	10	254	19.50	495.3	1184	360	725	221	510	155	365	111	285	87
105	10	254	24	610	16	406	25.50	647.7	1928	588	1150	350	815	248	585	178	455	139
106	10	254	24	610	24	610	33.50	850.9	2926	892	1730	527	1225	373	880	268	680	207
121	14	356	30	762	14	356	23.50	596.9	2485	757	1418	432	958	292	772	235	600	183
122	14	356	30	762	20	508	29.50	749.3	3590	1094	2094	638	4106	428	1082	330	874	266
123	14	356	30	762	30	762	39.50	1003.3	5434	1656	3172	967	2194	669	1700	518	1335	407

Performance based on a hydraulic volume of 90 gpm [340 l/min] at 2800 psi [193 bar] (2500 psi [172 bar] running)

Other drum sizes available. For optimum performance in your operating conditions, please consult with the TWG/LANTEC Engineering Staff for accurate evaluation of all options and specifications.

Contact a TWG sales representative about other available configurations.

As a leader in product innovation, TWG is committed to the ongoing improvement of its equipment. TWG reserves the right to make changes to our products without notice.

LANTEC® is a registered brand of TWG, a global leader in standard and engineered winch, gear-box and electronic monitoring systems.

LANTEC®
5827 Production Way
Langley, BC, Canada V3A 4N5
Phone: 604-530-0737
Fax: 604-530-2889

TWG
PO Box 1130
Jenks OK 74037-1130 USA
Phone: 918-298-8300
www.team-twg.com

