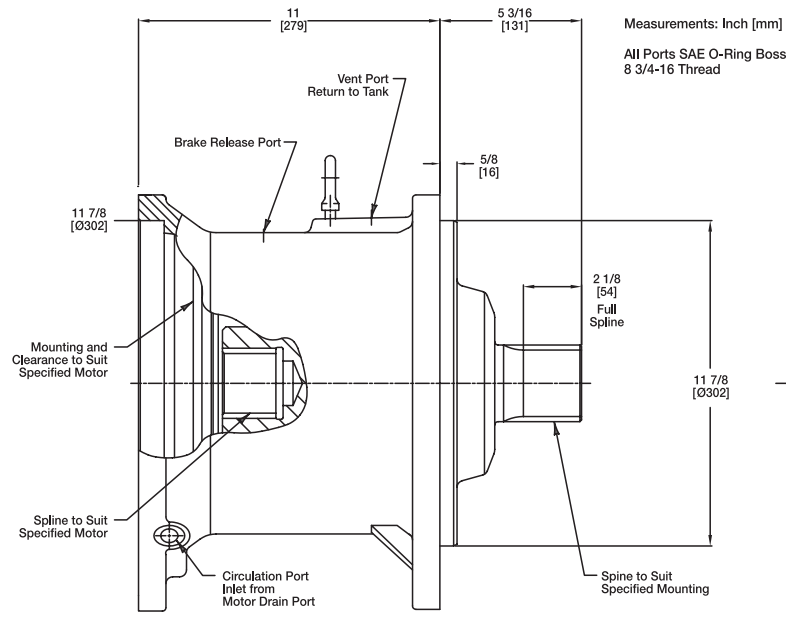
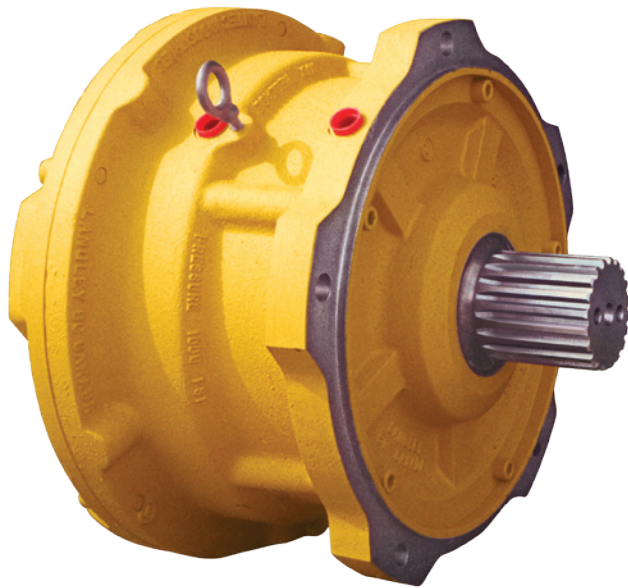


Features At-A-Glance:

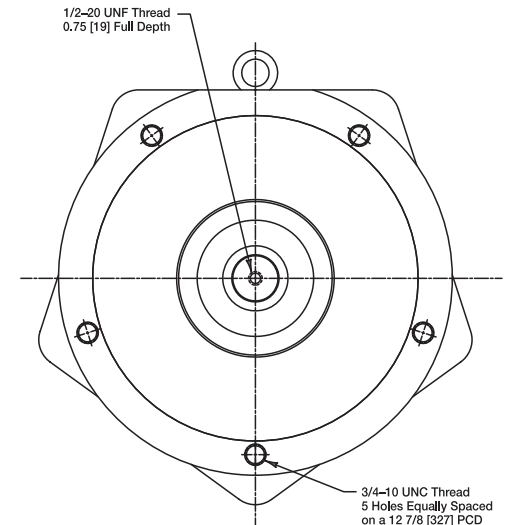
- Brake design features:
 - ✓ Completely-sealed
 - ✓ Spring-applied
 - ✓ Hydraulically-released
 - ✓ Oil-immersed
 - ✓ Multidisc
- Mounts directly on low-speed, high-torque hydraulic motors; output shaft and mounting are identical to the output of the hydraulic motor
- Output shaft accommodates overhung loads
- Operation: Automatic or manual
- Static and dynamic ratings
- No service adjustments required

Brake Specifications

Static Braking Torque	5,000 lb. ft.	678 daNm
Dynamic Braking Torque	Contact Factory	
Min. Pressure/Total Release	250 psi	18 bar
Max. Pressure Allowable	1000 psi	69 bar
Max. Cylinder Displacement	12 cu. in.	197 cc
Max. Operating Speed	2000 rpm	2000 rpm
Max. Operating Temperature	175°F	80°C
WK ²	250 lb mass in ²	.073 kg m ²



Measurements: Inch [mm]
All Ports SAE O-Ring Boss
8 3/4-16 Thread



Other brake packages are available.

For optimum performance in your operating conditions, please consult with the TWG/LANTEC Engineering Staff for accurate evaluation of all options and specifications.

Certified installation drawings are available on request.

Contact a TWG sales representative about other available configurations.

As a leader in product innovation, TWG is committed to the ongoing improvement of its equipment. TWG reserves the right to make changes to our products without notice.

© 2009 TWG. All rights reserved.

LANTEC® is a registered brand of TWG, a global leader in standard and engineered winch, gearbox and electronic monitoring systems.

37760 LANTEC 12-09

LANTEC®
5827 Production Way
Langley, BC, Canada V3A 4N5
Phone: 604-530-0737
Fax: 604-530-2889

TWG
PO Box 1130
Jenks OK 74037-1130 USA
Phone: 918-298-8300
www.team-twg.com

TWG 
POWER to Move the World™
A  **DOVER** COMPANY