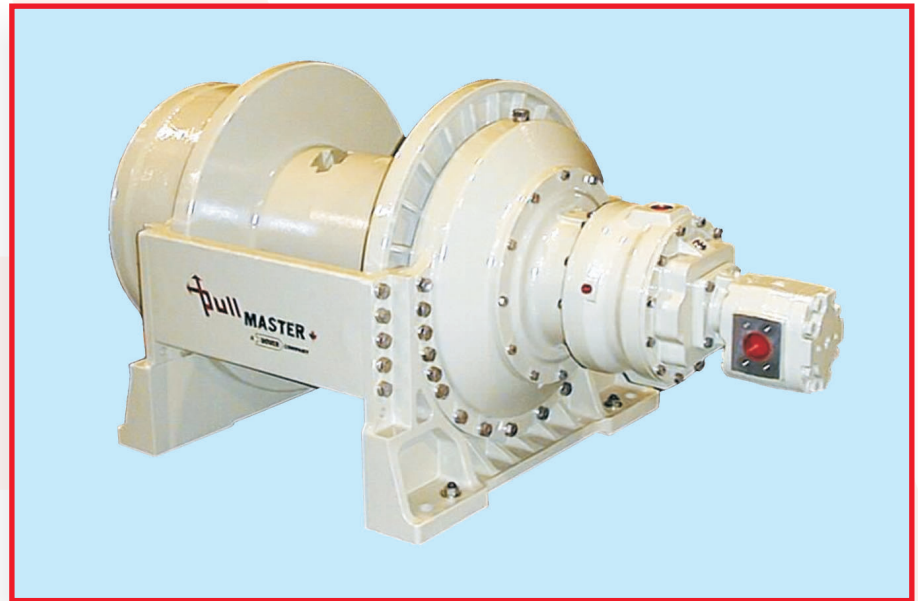


NEW! 75,000 lb. Line Pull



M75 Equal Speed / H75 Rapid Reverse

- High performance, high efficiency planetary winch design
- Spring applied hydraulically released static/dynamic brake
- Exceptionally smooth lowering control
- Oil bath enclosed assuring long, trouble-free service

 **PULL MASTER** 
A  **DOVER** COMPANY

THE LOGICAL CHOICE

PERFORMANCE AND CABLE STORAGE CAPACITY

*Performances and dimensions shown are subject to change without notice.

**Based on maximum hydraulic flow of 142 US gpm and maximum pressure of 3000 psi using 1-1/8" wire rope
Cable Drum Torque: 642,183 lb-in Cable Drum Speed: 16 RPM

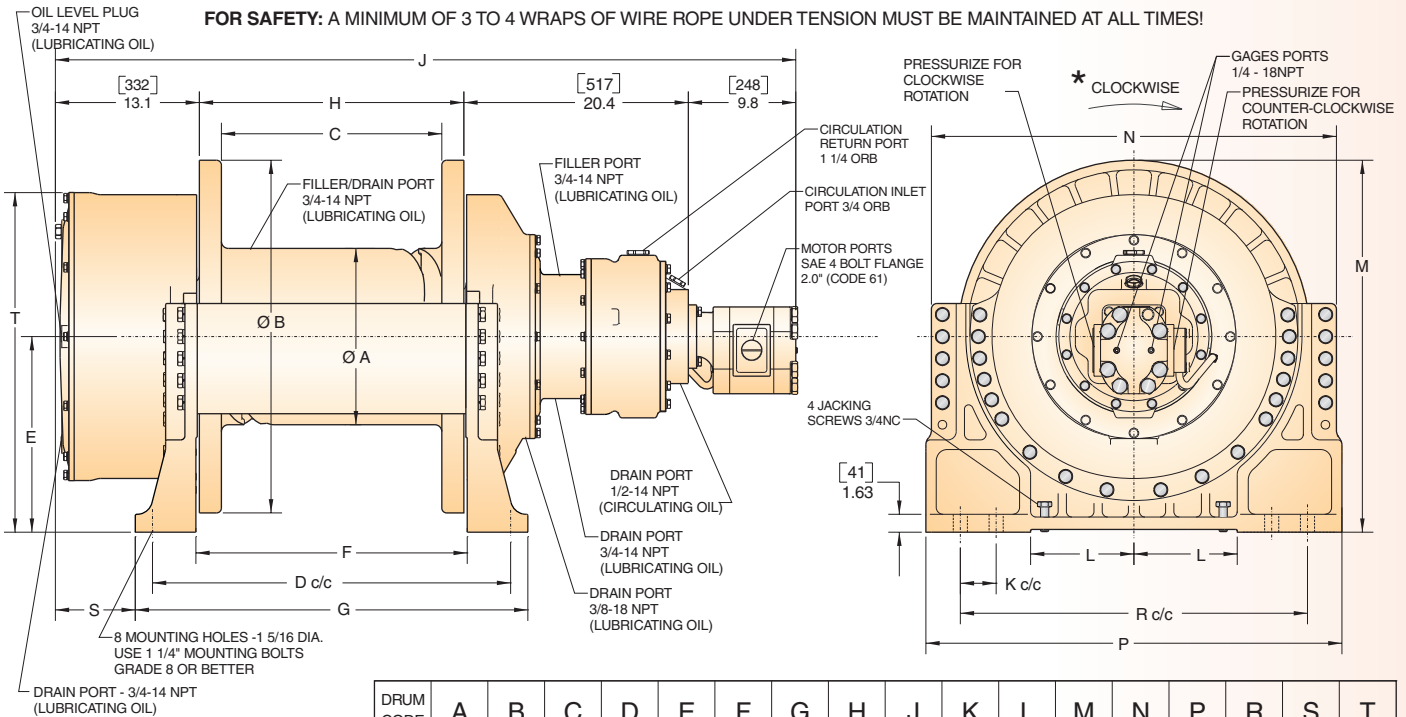
*** Consult factory for the availability of optional hydraulic motors, cable drums and other features.

MODEL NUMBER	BARE DRUM			MEAN DRUM			FULL DRUM		
	LINE PULL	LINE SPEED		LINE PULL	LINE SPEED		LINE PULL	LINE SPEED	
		FORWARD	REVERSE		FORWARD	REVERSE		FORWARD	REVERSE
M75-7-191-1	75,000 lb	72 fpm	72 fpm	58,374 lb	100 fpm	100 fpm	41,748 lb	129 fpm	129 fpm
	333.3 Kn	22 m/min	22 m/min	263 Kn	30 m/min	30 m/min	185.6 Kn	39 m/min	39 m/min
M75-7-191-4	75,000 lb	63 fpm	63 fpm	53,102 lb	108 fpm	108 fpm	31,244 lb	153 fpm	153 fpm
	333.3 Kn	19 m/min	19 m/min	236 Kn	33 m/min	33 m/min	139 Kn	47 m/min	47 m/min
H75-7-191-1	75,000 lb	72 fpm	298 fpm	58,374 lb	100 fpm	417 fpm	41,748 lb	129 fpm	536 fpm
	333.3 Kn	22 m/min	91 m/min	263 Kn	30 m/min	127 m/min	185.6 Kn	39 m/min	163 m/min
H75-7-191-4	75,000 lb	63 fpm	262 fpm	53,102 lb	108 fpm	450 fpm	31,244 lb	153 fpm	634 fpm
	333.3 Kn	19 m/min	80 m/min	236 Kn	33 m/min	137 m/min	139 Kn	47 m/min	193 fpm

**** For Rapid Reverse Models, the maximum load capacity must be reduced by a ratio of 4.1 when lowering at maximum reversing speed.

MODEL NUMBER	DRUM SIZE			WIRE ROPE DIAMETER			
	Barrel Dia.	Flange Dia.	Length	7/8"	1"	1 1/8"	1 1/4"
M/H75-7-191-1	16.0"	32.0"	20.0"	1,123 ft	907 ft	727 ft	559 ft
	406 mm	813 mm	508 mm	342 m	276 m	222 m	170 m
M/H75-7-191-4	14.0"	38.0"	36.0"	3245 ft	2,489 ft	2,104 ft	1,503 ft
	356 mm	965 mm	914 mm	989 m	761 m	641 ft	458 m

INSTALLATION DIMENSIONS



DIMENSIONS ARE IN INCHES [MILLIMETERS]

DRUM CODE	A	B	C	D	E	F	G	H	J	K	L	M	N	P	R	S	T
-1	[406]	[813]	[508]	[825.5]	[451]	[625]	[905]	[610]	[1706]	[82.6]	[238]	[857]	[933]	[955]	[800.1]	[183]	[782]
	16	32	20	32.500	17.8	24.6	35.6	24.0	67.2	3.25	9.4	33.8	36.8	37.8	31.500	7.2	30.8
-4	[356]	[965]	[914]	[1187.5]	[527]	[1019]	[1305]	[914]	[2113]	[76.2]	[314]	[1010]	[1099]	[1099]	[952.5]	[187]	[859]
	14	38	36	46.750	20.8	40.1	51.4	36.0	83.2	3.00	12.4	39.8	43.3	43.3	37.500	7.4	33.8

