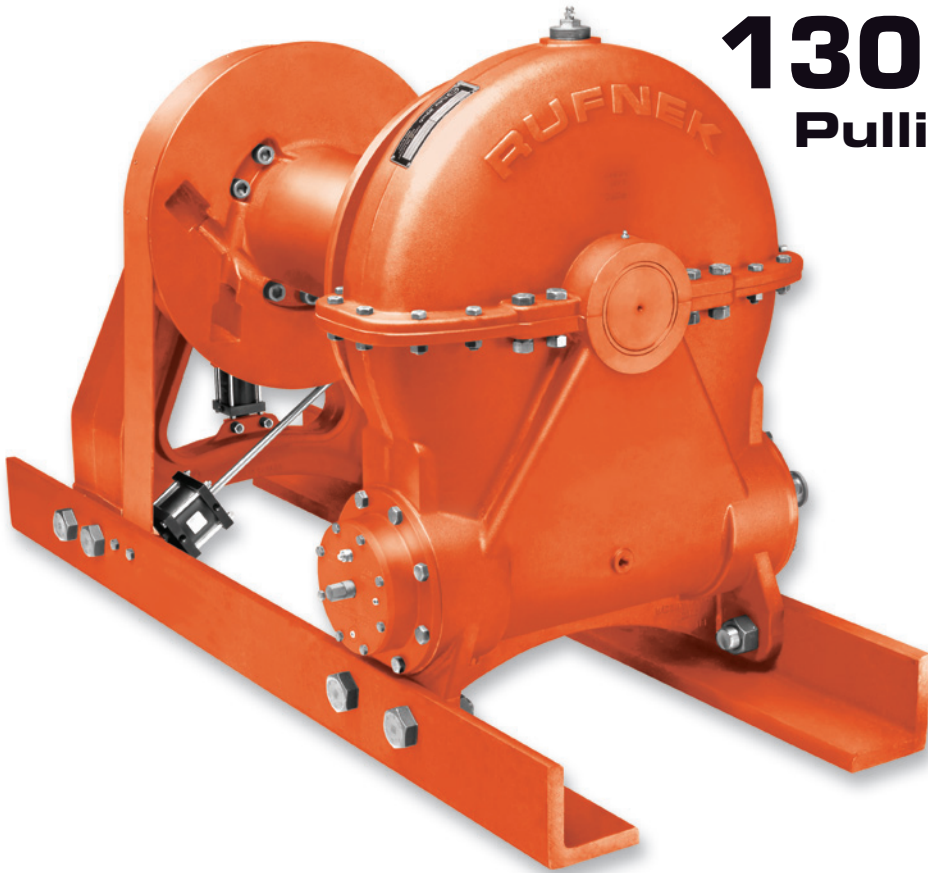
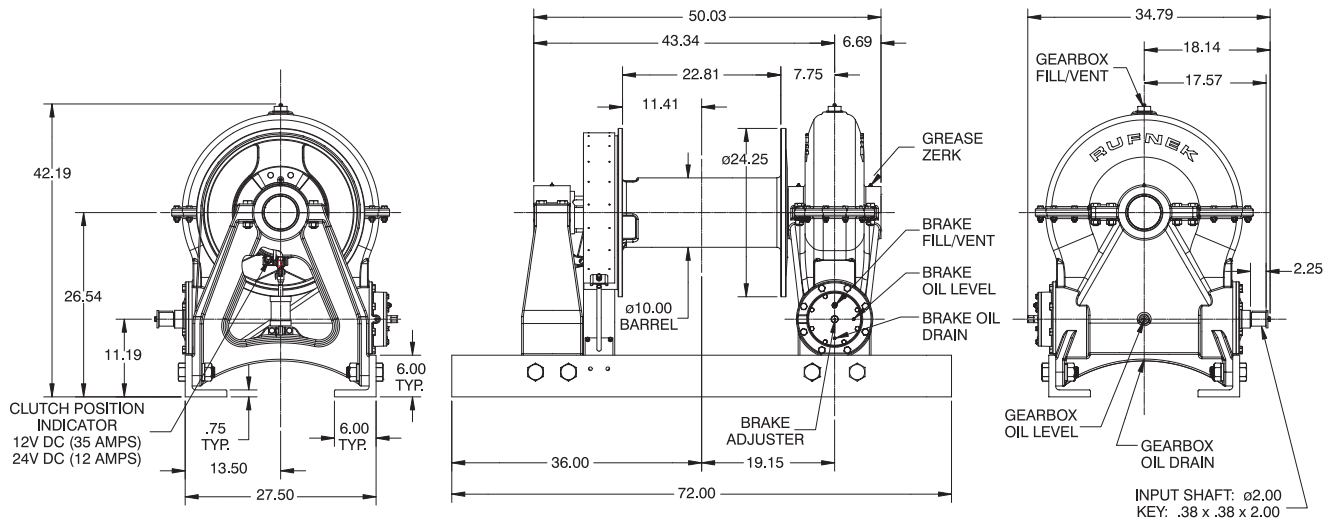


# 130,000 lb. Pulling Capacity



RN130W

RUFNEK® Worm Gear Winches



Approximate weight: 2,500 lb Mechanical

Layer	PERFORMANCE DATA						MECHANICAL DRIVE				
	Linepull (lb)	Linepull (kg)	Linespeed (fpm)	Linespeed (mpm)	Cable Cap. - 1.25" $\phi$ (ft)	Cable Cap. - 1.25" $\phi$ (m)	Input Torque-Static (lb-in)	Input Torque-Static (Nm)	Input Torque-Dynamic (lb-in)	Input Torque-Dynamic (Nm)	Input Speed (rpm)
1	130,000	58,967	16	5	53	16	25,120	2,838	17,368	1,962	max. 400
2	106,578	48,343	19	6	118	36					
3	90,181	40,905	22	7	194	59					
4	78,158	35,452	26	8	283	86					
5	68,962	31,281	29	9	383	117					

### CAUTION:

The last 5 wraps of cable must be left on the drum to assist the cable clamp in holding the load.

### WARNING:

Winches and capstans are not intended to be used for lifting or moving of persons.