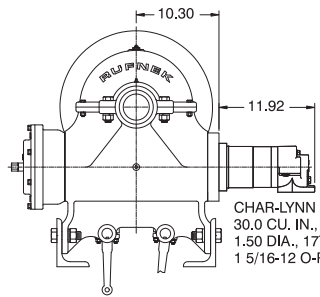
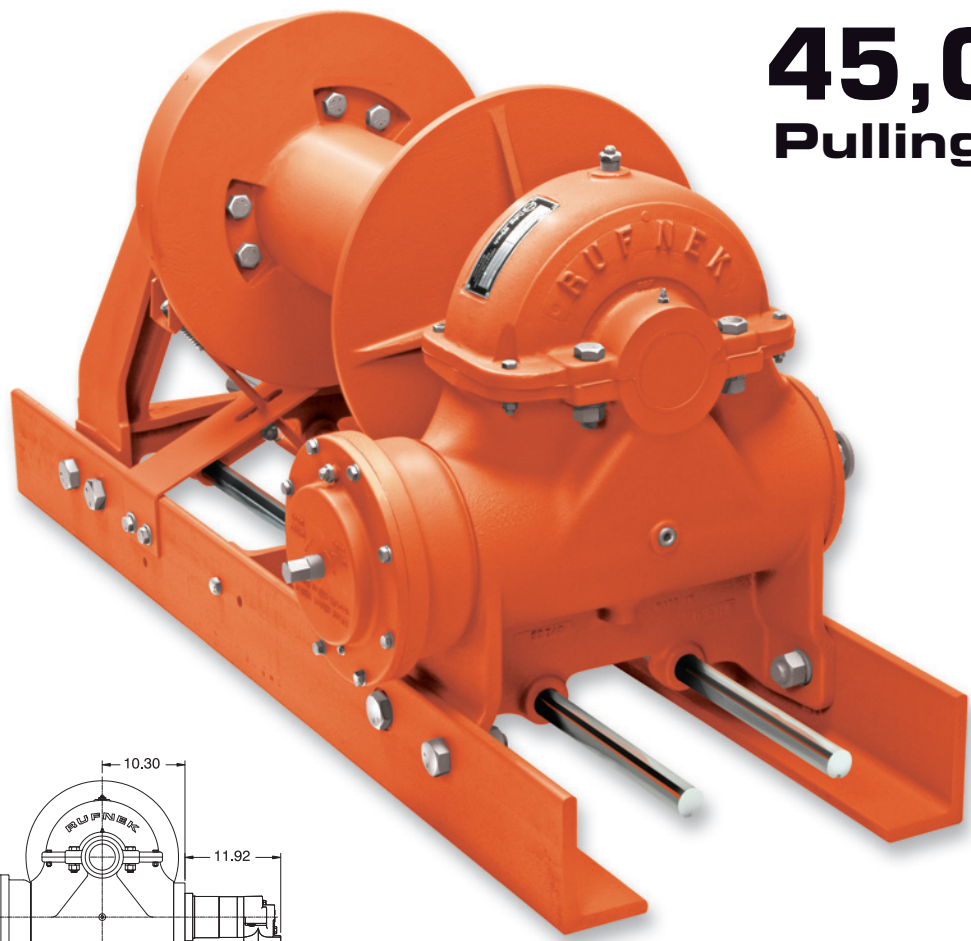


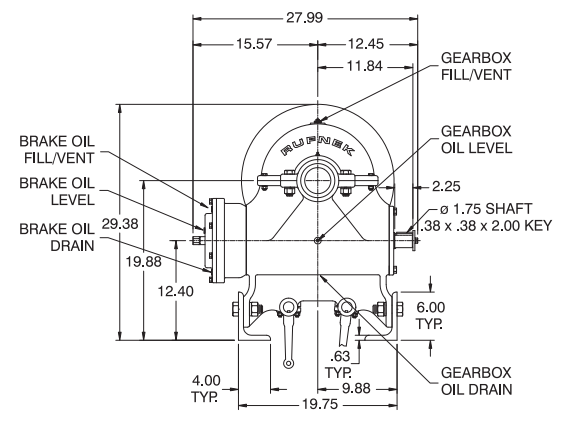
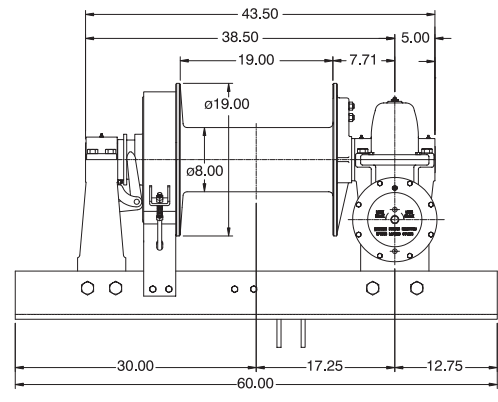
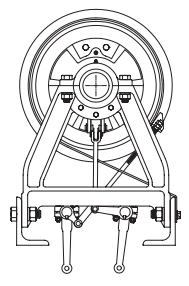
RN45W

RUFNEK® Worm Gear Winches

45,000 lb. Pulling Capacity



CHAR-LYNN 6,000 SERIES MOTOR,
30.0 CU. IN., 4 BOLT "C" MOUNT
1.50 DIA., 17T SPLINED SHAFT
1 5/16-12 O-RING PORTS



Approximate weight: 1,076 lb Mechanical / 1,138 lb Hydraulic

HYDRAULIC PERFORMANCE DATA							MECHANICAL DRIVE				
Layer	Linepull (lb)	Linepull (kg)	Linespeed (fpm)	Linespeed (mpm)	Cable Cap. - .875" Ø		Input Torque-Static		Input Torque-Dynamic		Input Speed
					(ft)	(m)	(lb-in)	(Nm)	(lb-in)	(Nm)	(rpm)
1	45,000	20,412	20	6	44	13	13,089	1,479	9,458	1,069	max. 400
2	37,597	17,054	23	7	97	30	HYDRAULIC DRIVE (30.0 CID Motor)				
3	32,280	14,642	27	8	158	48					
4	28,281	12,828	31	9	228	69	Pressure		Flow		
5	25,163	11,414	35	11	306	93	(Δ psi)	(Δ bar)	(gpm)	(lpm)	
							2,325	160	40	265	
							8.00 BBI x 19.00 FL x 19.00 W				
⚠ CAUTION:			⚠ WARNING:				Cable Size (in)	Capacity (ft)	Capacity (m)		
The last 5 wraps of cable must be left on the drum to assist the cable clamp in holding the load.			Winches and capstans are not intended to be used for lifting or moving of persons.				0.75	442	135		
							1.0	291	89		