

LANTEC®



[Click Here To Visit RyanHyd.Com](http://www.RyanHyd.com)

Model 540 Hydraulic Planetary Winch

Line pull of 101,000 lbs. (45,800 kg)

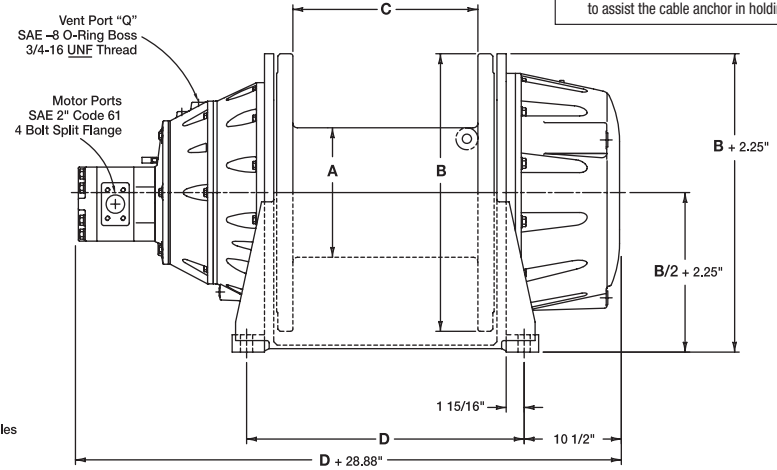
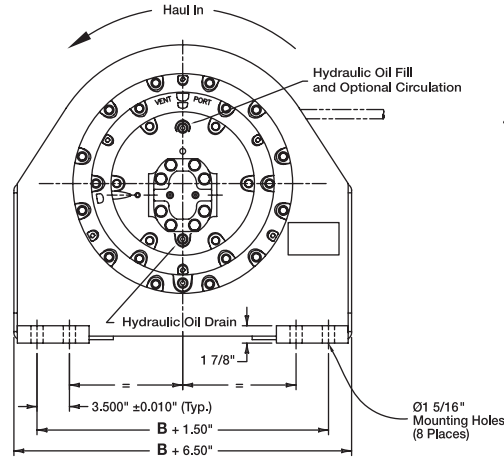
The LANTEC® Model 540 Hydraulic Planetary Winch includes a hydraulic gear motor, spring-applied hydraulic-released multidisk brake with overrunning clutch and three planetary gear reductions. The Model 540 is a power in/power out winch with equal speed in both directions. LANTEC specializes in the custom designs, please inquire about special cable drums, hydraulic motors, handbrakes, freespool and ratchet and pawl options to meet your exact application needs.

CAUTION:
The last 5 wraps of cable must be left on the drum to assist the cable anchor in holding the load.

| MODEL 540 Drum Torque 543,052 lb.in. (61,957 Nm) / Drum R.P.M. 10-76 | Drum Number | Bare | Line Pull | | Line Speed | |
|---|-------------|------|-----------|--------|------------|-----|
| | | | lb. | kg | f.p.m. | m/m |
| 107-109 | Bare | | 101,032 | 45,828 | 30 | 9 |
| | Mean | | 59,510 | 26,994 | 51 | 15 |
| | Full | | 44,785 | 20,314 | 68 | 20 |
| 121-123 | Bare | | 73,634 | 33,400 | 42 | 13 |
| | Mean | | 48,813 | 22,142 | 63 | 19 |
| | Full | | 40,600 | 18,416 | 75 | 23 |
| 131-133 | Bare | | 57,925 | 26,275 | 53 | 16 |
| | Mean | | 39,138 | 17,753 | 78 | 24 |
| | Full | | 30,810 | 13,975 | 100 | 30 |
| 141-143 | Bare | | 57,925 | 26,275 | 53 | 16 |
| | Mean | | 35,320 | 16,021 | 86 | 26 |
| | Full | | 26,330 | 11,943 | 116 | 35 |
| 151-153 | Bare | | 43,880 | 19,904 | 70 | 21 |
| | Mean | | 32,180 | 14,597 | 95 | 29 |
| | Full | | 26,330 | 11,943 | 116 | 35 |

| MODEL 541 Drum Torque 407,290 lb.in. (45,918 Nm) / Drum R.P.M. 14-35 | Drum Number | Bare | Line Pull | | Line Speed | |
|---|-------------|------|-----------|--------|------------|-----|
| | | | lb. | kg | f.p.m. | m/m |
| 107-109 | Bare | | 75,775 | 34,372 | 40 | 12 |
| | Mean | | 44,635 | 20,242 | 68 | 20 |
| | Full | | 33,590 | 15,236 | 91 | 28 |
| 121-123 | Bare | | 55,225 | 25,050 | 55 | 17 |
| | Mean | | 36,610 | 16,606 | 84 | 26 |
| | Full | | 30,450 | 13,812 | 100 | 30 |
| 131-133 | Bare | | 43,445 | 19,707 | 70 | 21 |
| | Mean | | 29,355 | 13,315 | 104 | 32 |
| | Full | | 23,110 | 10,483 | 132 | 40 |
| 141-143 | Bare | | 43,445 | 19,707 | 70 | 21 |
| | Mean | | 26,490 | 12,016 | 115 | 35 |
| | Full | | 19,750 | 8,959 | 155 | 47 |
| 151-153 | Bare | | 32,910 | 14,928 | 93 | 28 |
| | Mean | | 24,135 | 10,949 | 126 | 38 |
| | Full | | 19,750 | 8,959 | 155 | 47 |

| MODEL 542 Drum Torque 283,945 lb.in. (32,070 Nm) / Drum R.P.M. 20-59 | Drum Number | Bare | Line Pull | | Line Speed | |
|---|-------------|------|-----------|--------|------------|-----|
| | | | lb. | kg | f.p.m. | m/m |
| 107-109 | Bare | | 52,808 | 23,954 | 58 | 18 |
| | Mean | | 31,106 | 14,110 | 98 | 30 |
| | Full | | 23,410 | 10,618 | 130 | 40 |
| 121-123 | Bare | | 38,485 | 17,457 | 80 | 24 |
| | Mean | | 25,515 | 11,574 | 120 | 37 |
| | Full | | 21,220 | 9,625 | 145 | 44 |
| 131-133 | Bare | | 30,277 | 13,733 | 101 | 31 |
| | Mean | | 20,460 | 9,280 | 150 | 46 |
| | Full | | 16,105 | 7,305 | 190 | 58 |
| 141-143 | Bare | | 30,265 | 13,728 | 101 | 31 |
| | Mean | | 18,450 | 8,369 | 166 | 50 |
| | Full | | 13,760 | 6,242 | 222 | 68 |
| 151-153 | Bare | | 22,940 | 10,405 | 133 | 40 |
| | Mean | | 16,820 | 7,630 | 182 | 55 |
| | Full | | 13,760 | 6,242 | 222 | 68 |



| Drum | Dimensions | | | | Cable Capacity Full Drum – No Allowance for Free-Flange | | | | | | | | | | | |
|------|-----------------|-----|-----------------|------|---|------|------------------|--------|------|------|------|------|------|------|--------|-----|
| | A – Barrel Dia. | | B – Flange Dia. | | C – Length | | D – Bolt Centers | | 3/4" | | 7/8" | | 1" | | 1 1/8" | |
| | in | mm | in | mm | in | mm | in | mm | ft | mm | ft | mm | ft | mm | ft | mm |
| 107 | 10 | 254 | 26 | 660 | 10 | 254 | 19.75 | 501.7 | 548 | 167 | 420 | 128 | 340 | 104 | 262 | 80 |
| 108 | 10 | 254 | 26 | 660 | 16 | 406 | 25.75 | 654.1 | 916 | 279 | 714 | 217 | 564 | 172 | 425 | 130 |
| 109 | 10 | 254 | 26 | 660 | 24 | 610 | 33.75 | 857.3 | 1420 | 433 | 1094 | 333 | 864 | 263 | 655 | 200 |
| 121 | 14 | 355 | 30 | 762 | 14 | 355 | 23.75 | 603.3 | 958 | 292 | 768 | 234 | 600 | 183 | 440 | 134 |
| 122 | 14 | 355 | 30 | 762 | 20 | 508 | 29.75 | 755.7 | 1406 | 428 | 1082 | 330 | 874 | 266 | 641 | 195 |
| 123 | 14 | 355 | 30 | 762 | 30 | 762 | 39.75 | 1009.7 | 2194 | 669 | 1700 | 518 | 1335 | 407 | 1000 | 305 |
| 131 | 18 | 457 | 36 | 914 | 14 | 355 | 23.75 | 603.3 | 1440 | 439 | 1050 | 320 | 826 | 252 | 621 | 189 |
| 132 | 18 | 457 | 36 | 914 | 20 | 508 | 29.75 | 755.7 | 2120 | 646 | 1470 | 448 | 1206 | 367 | 904 | 275 |
| 133 | 18 | 457 | 36 | 914 | 30 | 762 | 39.75 | 1009.7 | 3306 | 1008 | 2308 | 703 | 1842 | 561 | 1412 | 430 |
| 141 | 18 | 457 | 42 | 1067 | 20 | 508 | 30.25 | 768.4 | 3140 | 957 | 2100 | 640 | 1788 | 545 | 1224 | 373 |
| 142 | 18 | 457 | 42 | 1067 | 30 | 762 | 40.25 | 1022.4 | 4900 | 1494 | 3300 | 1005 | 2730 | 832 | 1914 | 583 |
| 143 | 18 | 457 | 42 | 1067 | 40 | 1016 | 50.25 | 1276.4 | 6530 | 1990 | 4400 | 1340 | 3674 | 1120 | 2600 | 792 |
| 151 | 24 | 610 | 42 | 1067 | 20 | 508 | 29.75 | 755.7 | 2590 | 789 | 1800 | 549 | 1476 | 450 | 1105 | 337 |
| 152 | 24 | 610 | 42 | 1067 | 30 | 762 | 39.75 | 1009.7 | 4040 | 1231 | 2826 | 861 | 2250 | 686 | 1728 | 527 |
| 153 | 24 | 610 | 42 | 1067 | 40 | 1016 | 49.75 | 1263.7 | 5388 | 1642 | 3771 | 1150 | 3030 | 924 | 2352 | 717 |

Performance based on a hydraulic volume of 90 gpm [340 l/min] at 2800 psi [193 bar] (2500 psi [172 bar] running)

Other drum sizes available. For optimum performance in your operating conditions, please consult with the TWG/LANTEC Engineering Staff for accurate evaluation of all options and specifications.