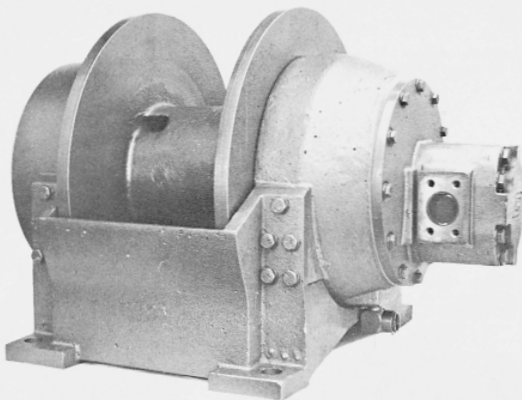


Ryan  Click Here To Visit
Hydraulic Service, Inc.

M25

PLANETARY, HYDRAULIC WINCH



**EQUAL SPEED
EEDS TAND3**

 **PULL MASTER** 

THE LOGICAL ALTERNATIVE

MODEL M25 PLANETARY HYDRAULIC WINCH

DESCRIPTION

The **PULLMASTER** Model M25 is a high performance, high efficiency planetary winch having equal speed in forward and reverse rotation. The automatic, multi-disc brake of this unit is effective in one direction only and achieves an exceptionally smooth lowering control of the maximum load in a stepless operation. The **PULLMASTER** Model M25 planetary winch is powered by a hydraulic gear motor and the required reduction ratio of 40.8:1 is established by two planetary stages. The hydraulic motor drives into the planetary reductions. When forward rotation is stopped an over-running clutch between the brake assembly and the motor drive will lock and the multi-disc brake will safely hold the maximum load. The multi-disc brake is spring applied - pressure released. When the hydraulic motor is powered for reverse or lowering the brake is released automatically and is then modulated for the desired lowering speed by a single control lever. A counter-balance valve is not required for dynamic braking. All moving parts of the **PULLMASTER** Model M25 planetary hydraulic winch are totally enclosed and run in an oil bath, assuring long, trouble free service with a minimum requirement for maintenance.

Options: Special drum sizes, hydraulic piston motors, controlled free fall, emergency free fall, external brake release, hydraulic freespool. For other optional requirements contact the factory.

PERFORMANCE

- Maximum operating volume = 115 (US) gpm (435 l/min)
- Drum rpm at maximum volume in both directions = 49 (Nm)
- Maximum operating pressure = 2500 psi (172 bar)
- Drum torque at maximum pressure = 135937 lb-in (15395 Nm)

MODEL NUMBER	BARE DRUM		MEAN DRUM		FULL DRUM	
	LINE PULL	LINE SPEED	LINE PULL	LINE SPEED	LINE PULL	LINE SPEED
M25-7-86-1	25000 lb	140 fpm	21315 lb	169 fpm	17630 lb	198 fpm
	111.2 kN	43 m/min	94.8 kN	51 m/min	78.4 kN	60 m/min
M25-7-86-2 M25-7-86-3 M25-7-86-4	25000 lb	140 fpm	18411 lb	217 fpm	11821 lb	295 fpm
	111.2 kN	43 m/min	81.9 kN	66 m/min	52.6 kN	90 m/min

The volumetric requirements for the **PULLMASTER** Model M25 planetary winch are recommended maximums and should not be exceeded. When the **PULLMASTER** Model M25 planetary winch is installed in existing hydraulic circuits with a lesser volume and/or lower pressure, the performance will change accordingly.

Performance graphs for line speed vs. oil volume and line pull vs. pressure are available on request.

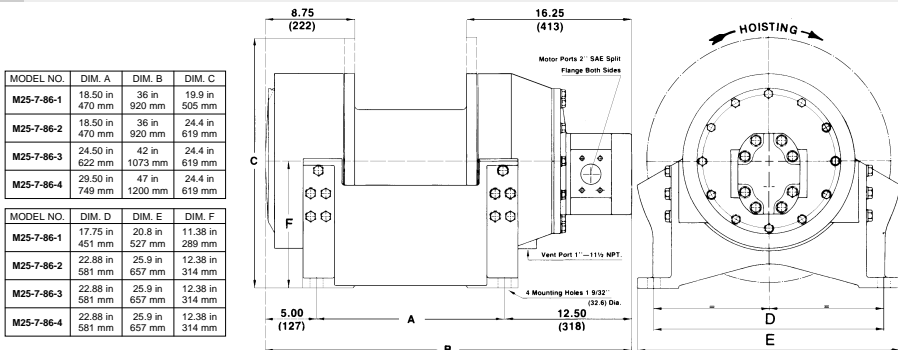
CABLE STORAGE AGE

DRUM CABLE STORAGE CAPACITY FOR WIRE ROPE

MODEL NUMBER	DRUM SIZE			WIRE ROPE DIAMETER						
	BARREL	FLANGE	LENGTH	7/16 in	1/2 in	9/16 in	5/8 in	3/4 in	7/8 in	1 in
M25-7-86-1	10 in	17 in	11 in	612 ft	486 ft	383 ft	297 ft	210 ft	140 ft	91 ft
	254 mm	432 mm	279 mm	186 m	148 m	117 m	90 m	64 m	43 m	28 m
M25-7-86-2	10 in	24 in	11 in	1520 ft	1210 ft	950 ft	728 ft	515 ft	398 ft	264 ft
	254 mm	610 mm	279 mm	463 m	369 m	289 m	222 m	157 m	121 m	80 m
M25-7-86-3	10 in	24 in	17 in	2349 ft	1869 ft	1467 ft	1125 ft	796 ft	615 ft	408 ft
	254 mm	610 mm	432 mm	716 m	570 m	447 m	343 m	243 m	188 m	124 m
M25-7-86-4	10 in	24 in	22 in	3039 ft	2419 ft	1899 ft	1456 ft	1031 ft	796 ft	528 ft
	254 mm	610 mm	559 mm	926 m	737 m	579 m	444 m	314 m	243 m	161 m

Different Drum Sizes will be made available for quantity repeat orders.

DIMENSIONS



PULLMASTER planetary winches are covered by a liberal warranty. Parts and repair service are available from authorized **PULLMASTER** distributors throughout Canada, the United States and most overseas areas.

IMPORTANT

PULLMASTER planetary winches are neither designed nor intended for installation on equipment used in lifting or moving of personnel.

DISTRIBUTOR

