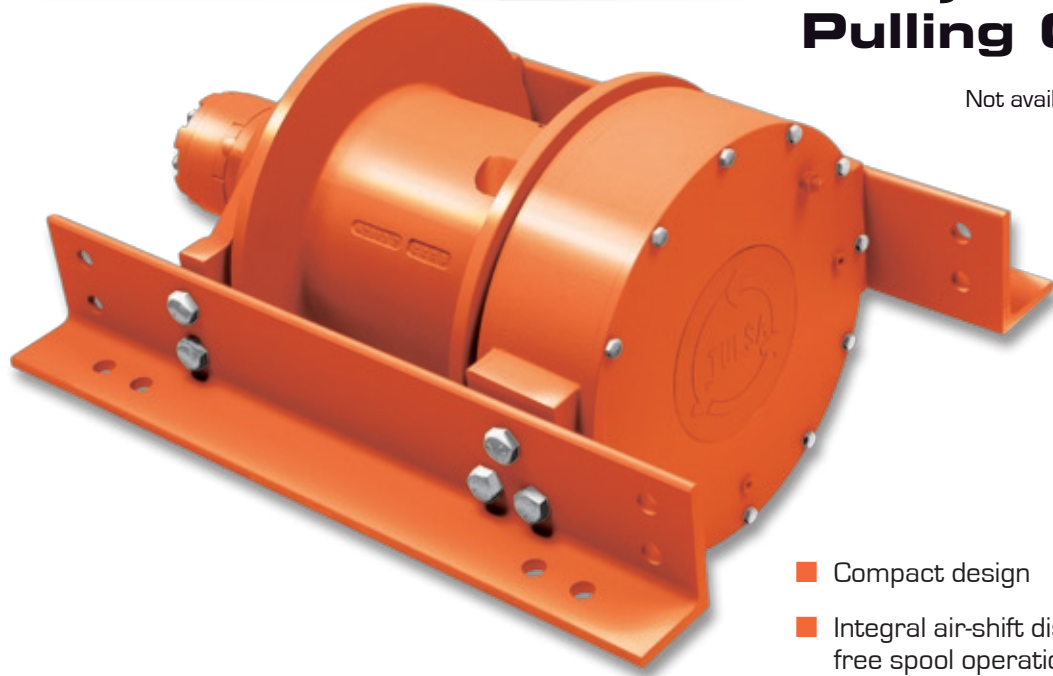


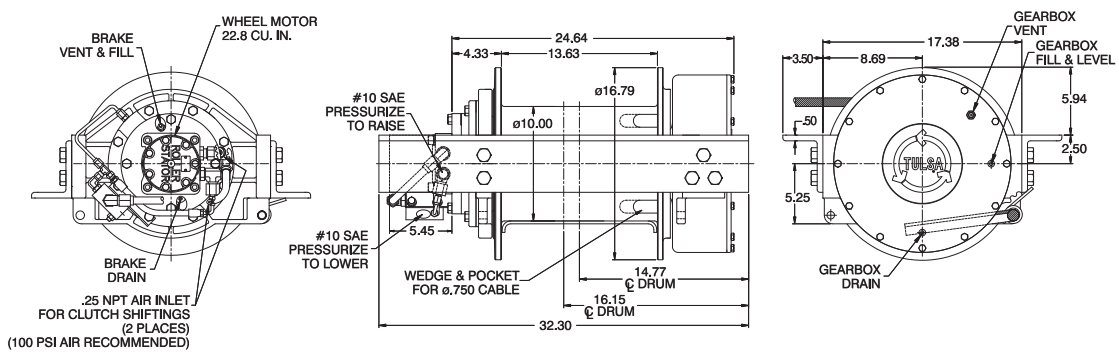
# 35,000 lb. Pulling Capacity

Not available with the Intelliguard™

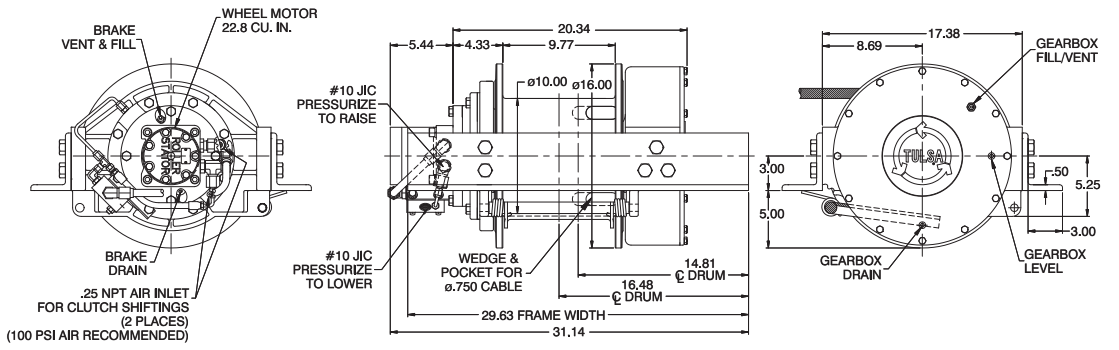


- Compact design
- Integral air-shift disengagement for free spool operation

**3541RLA**



**3541RLB**



**PERFORMANCE DATA** **2,000 PSI @ 30 GPM / 138 BAR @ 114 LPM**

Layer	3541RLA (Low Speed)						3541RLB (Low Speed)					
	Linepull (lb)	Linepull (kg)	Linespeed (fpm)	Linespeed (mpm)	Cable Cap. 0.750" Ø (ft)	Cable Cap. 0.750" Ø (m)	Linepull (lb)	Linepull (kg)	Linespeed (fpm)	Linespeed (mpm)	Cable Cap. 0.750" Ø (ft)	Cable Cap. 0.750" Ø (m)
1	35,000	15,876	19	5	46	14	35,000	15,876	19	5	33	10
2	30,722	13,935	21	6	98	30	30,722	13,935	21	6	70	21
3	27,371	12,415	24	7	156	48	27,371	12,415	24	7	113	34

<b>CAUTION:</b>	<b>WARNING:</b>
The last 5 wraps of cable must be left on the drum to assist the cable clamp in holding the load.	Winches and capstans are not intended to be used for lifting or moving of persons.

**3541RL**

**Planetary Hydraulic Winch**